

YSI 44004 Series Thermistor Sensor Application Note #14

Overview

This Sensor Application Note provides additional information to wire and configure the YSI 44004 Series Thermistor.

Wiring

Description	Color	Non-MultiSensor Mux	MultiSensor Mux
Thermistor H	White ¹	1H	1H
Thermistor L	Green ¹	1L	1L

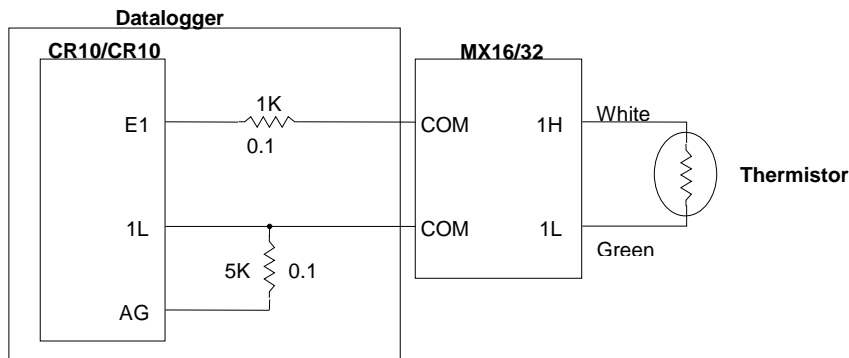
¹ Color codes would depend on application, polarity is not important.

Configuration

Type	Make	Model	Instruction File	Description	Units
Thermistor	Generic	YSI44004°C	Ysi44004c.ins	YSI 44004 Series Thermistor	°C
Thermistor	Generic	YSI44004°F	Ysi44004f.ins	YSI 44004 Series Thermistor	°F

These sensor configurations are included in shipments of MultiLogger beginning with v3.2.0. Contact Canary Systems if you require assistance configuring them with older versions of the software.

Non-MultiSensor Multiplexer Wiring



Resistance vs. Temperature Table

Temp	Ω	Temp	Ω	Temp	Ω	Temp	Ω
-50	151000	-10	12460	+30	1815	+70	394.5
-45	106300	-5	9534	+35	1471	+75	333.1
-40	75790	0	7355	+40	1200	+80	282.7
-35	54660	+5	5719	+45	983.8	+85	240.9
-30	39860	+10	4482	+50	811.3	+90	206.1
-25	29380	+15	3539	+55	672.5	+95	177.1
-20	21870	+20	2814	+60	560.3	+100	152.8
-15	16430	+25	2252	+65	469.0		