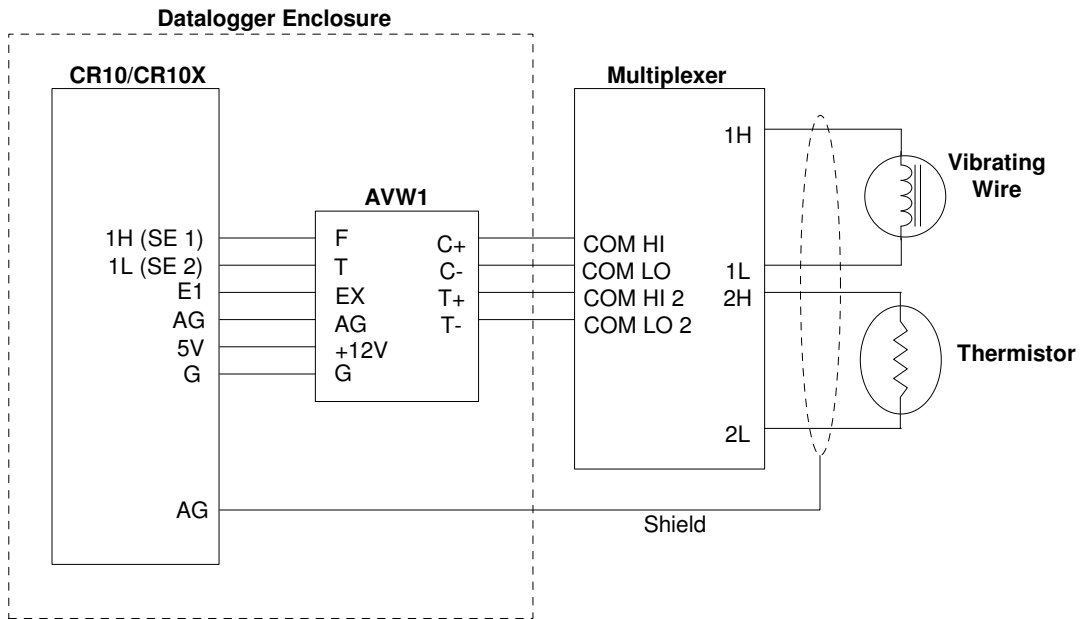


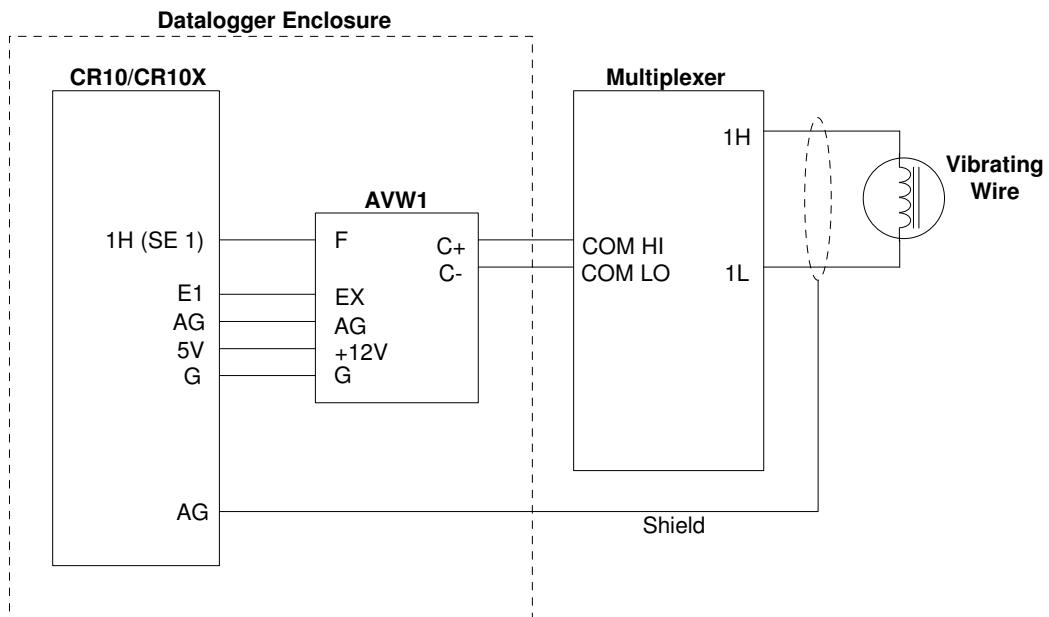
MultiLogger (Non-MultiSensor) Multiplexer Wiring Diagrams
 MultiLogger Application Note #5

1. Vibrating Wire

1.1 16 Channel

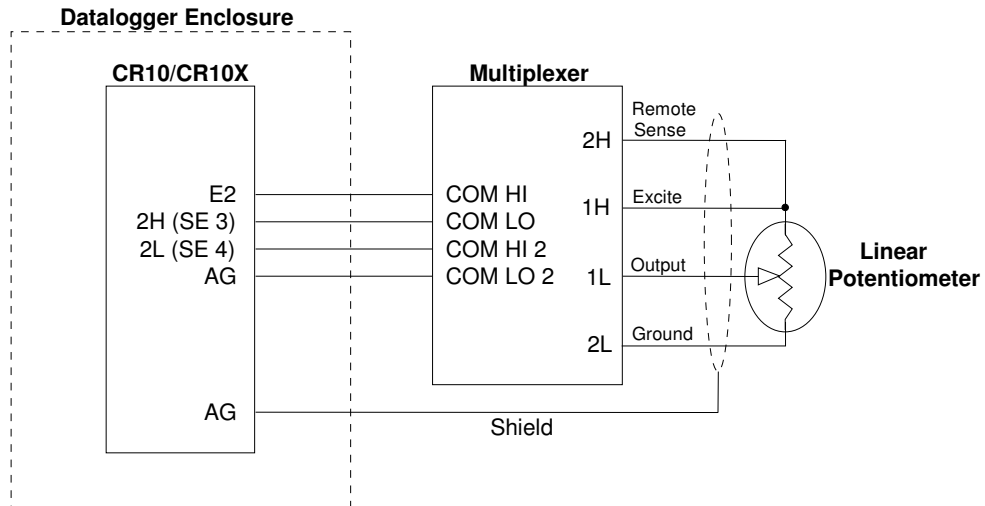


1.2 32 Channel

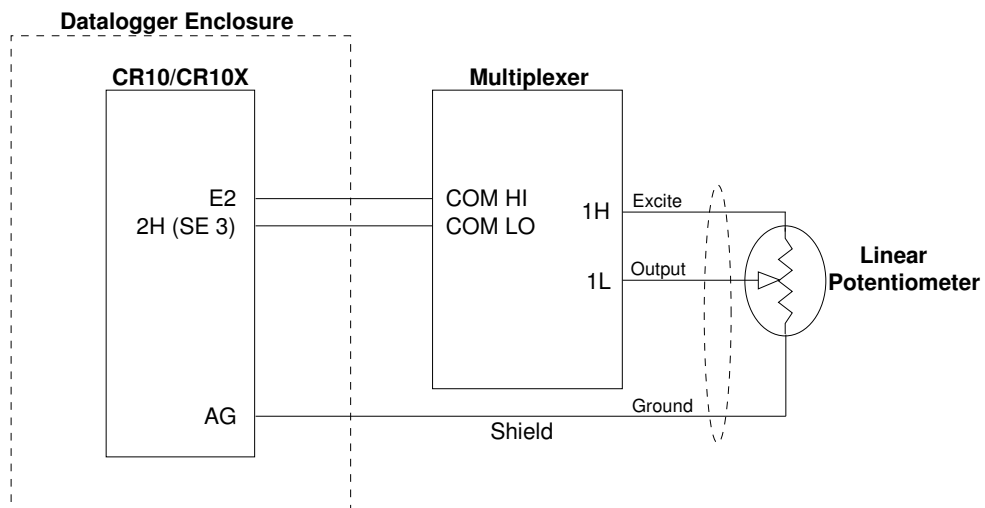


2. Linear Potentiometer

2.1 16 Channel

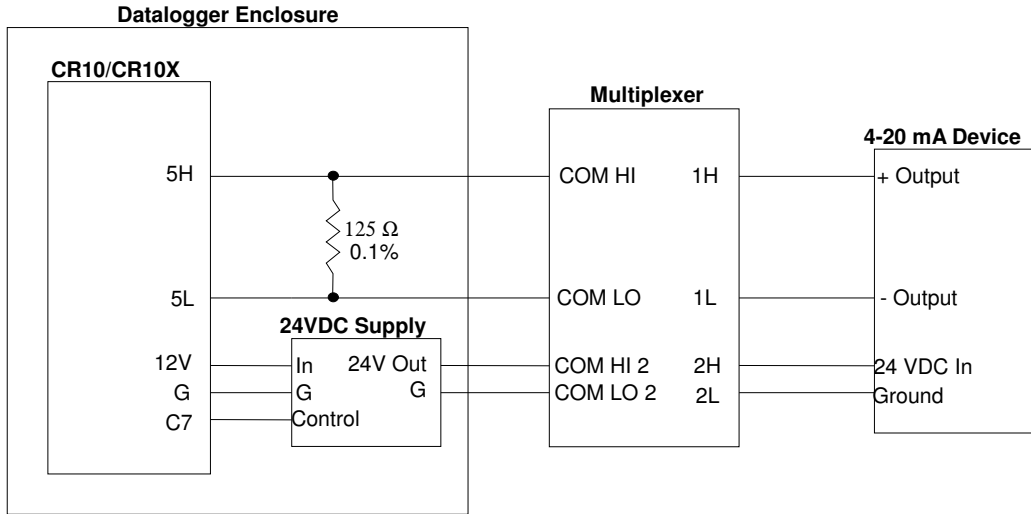


2.2 32 Channel

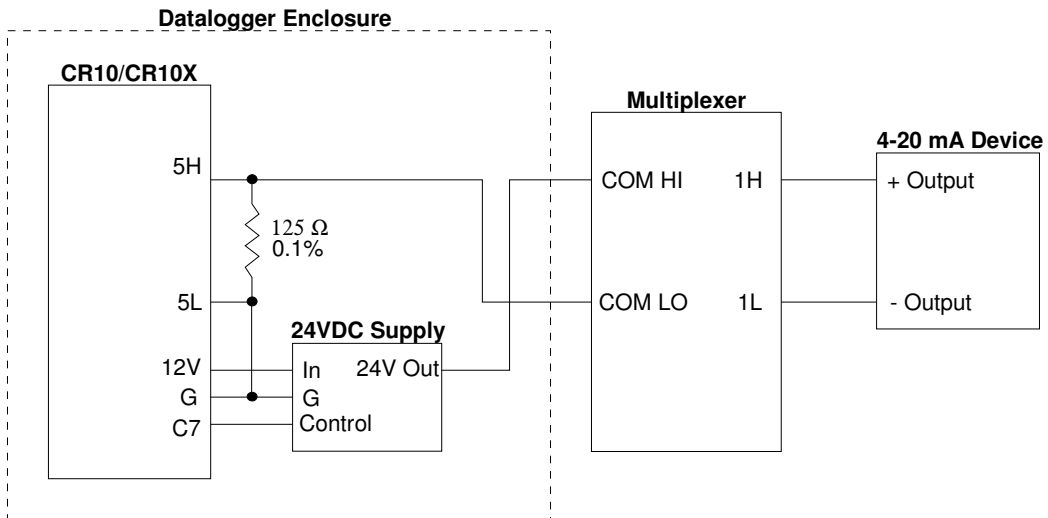


3. 4-20 mA Devices

3.1 16 Channel

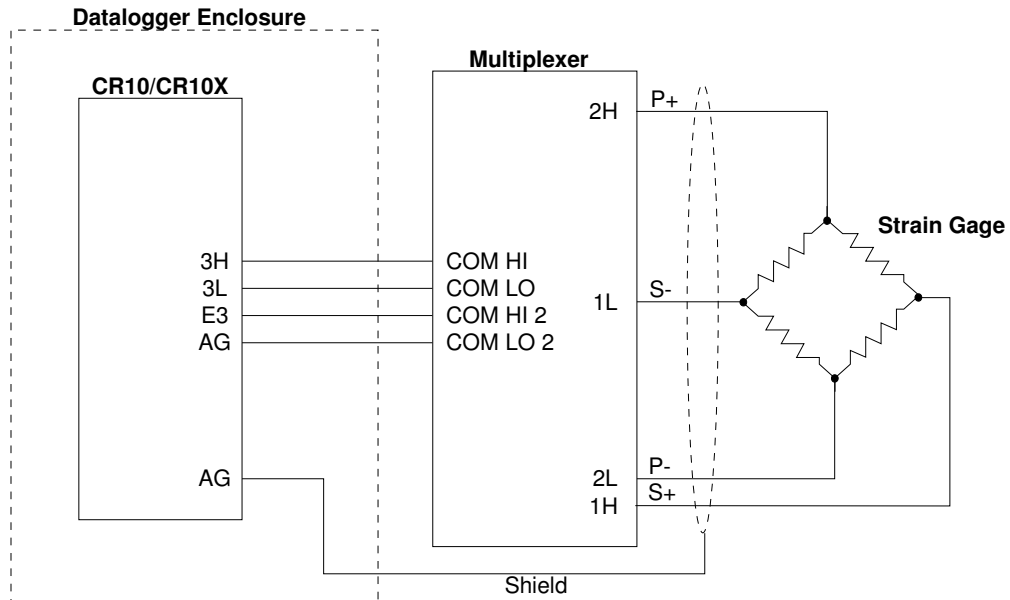


3.2 32 Channel

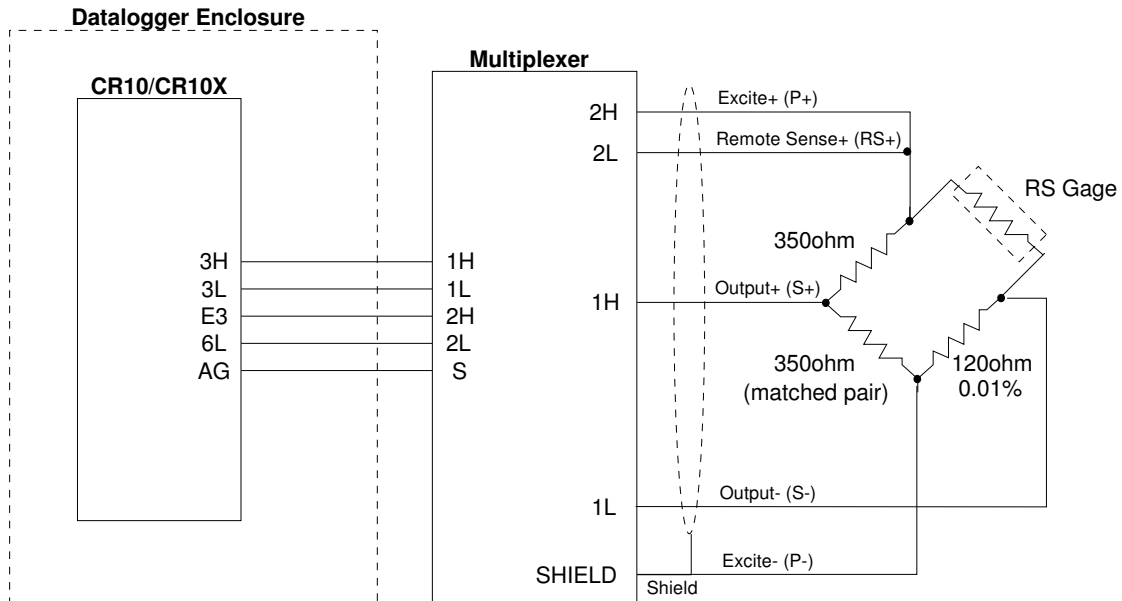


4. Resistance Strain Gage

4.1 16 Channel

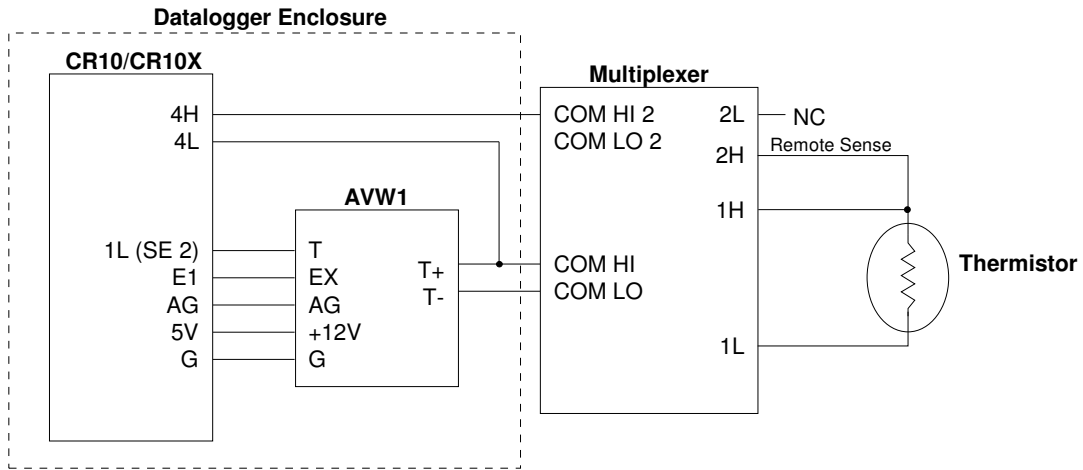


4.2 16 Channel with Single Active Arm

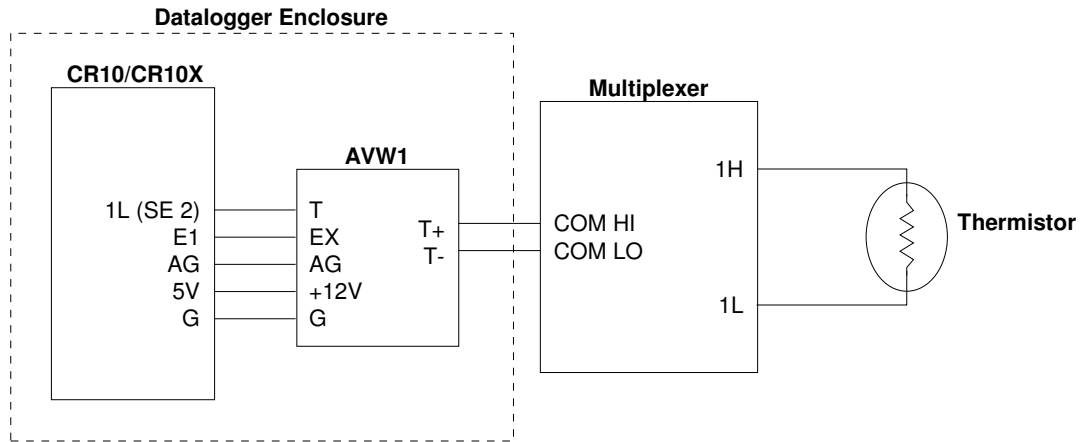


5. Thermistor

5.1 16 Channel

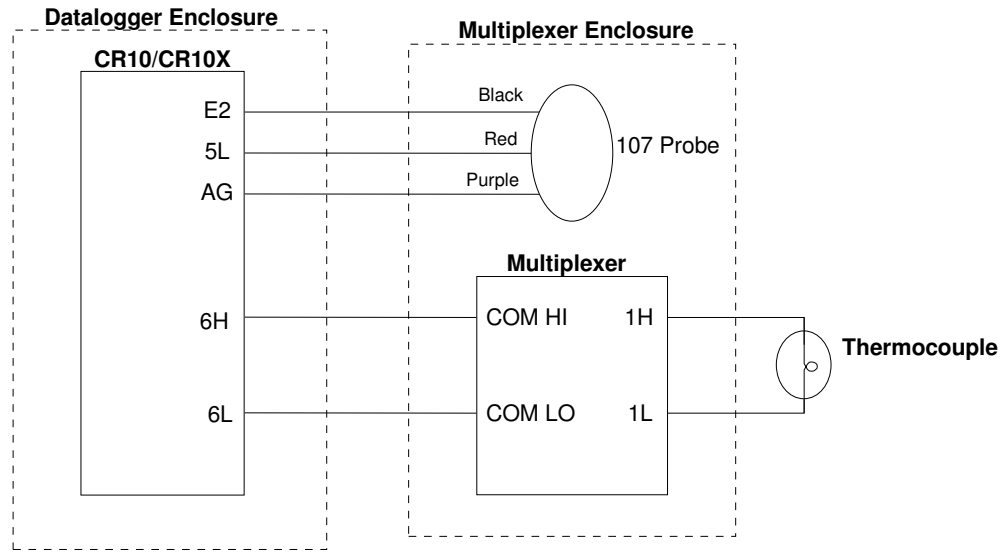


5.2 32 Channel



6. Thermocouple

6.1 32 Channel



7. Electrolytic Bubble

7.1 16 Channel

